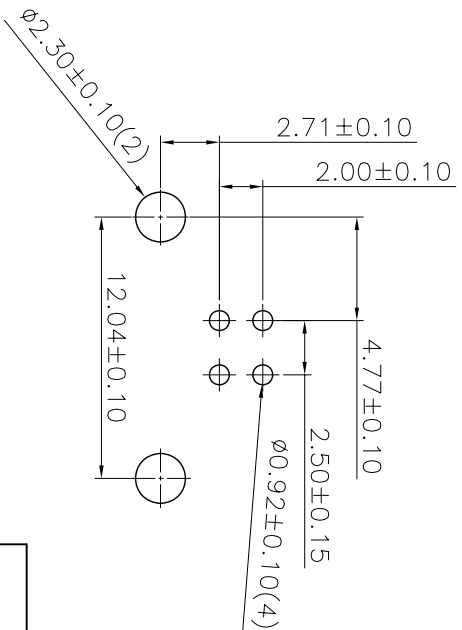
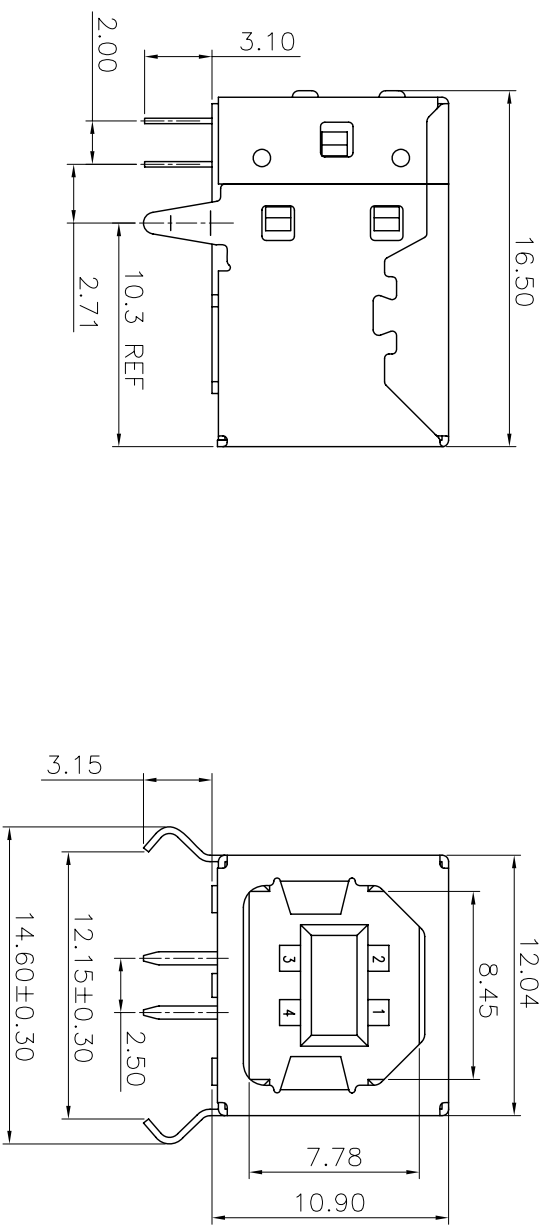


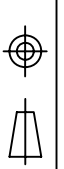
REV	ECN NO:	B Y	DATE
A2	NEW-DWG	ING	10/01/15

NOTE
MATERIAL: PHOSPHOR BRONZE
CONTACTS: PBT+30% G.F. UL-0
INSULATOR: SEE TABLE
SHELL : SEE TABLE
BACKSHELL:SPCC
MATING: 35N MAX.
WITHDRAWAL FORCE:10N MIN.
DURABILITY:1500 CYCLES MIN.
CURRENT-MAX[AMPS] 1.5A
VOLTAGE-MAX[VOLTS] 30V
WITHSTANDING VOLTAGE 500V AC
CONTACT RESISTANCE 30MΩ MAX.
INSULATION RESISTANCE 1000MΩ MIN.
CONTACTS: PLATED SEE TABLE
SHELL: NICKEL OVER ALL PLATING
TEMPERATURE RANGE -55°C~+85°C



Cnc Tech, LLC

-TOLERANCES-
UNLESS OTHERWISE SPECIFIED



TITLE: USB BF 90°DIP封装
后盖无缺口1SU“成品

X.X	±0.38	X.X°	±2°	APPD:	PRODUCT NO:	1001-003-02000
X.XX	±0.25	X.XX°	±1°	CHECK:	DATE	SCALE
X.XXX	±0.13	X.XXX°	±0.5°	DRAW:	2010.01.15	FREE
						UNIT
						MM
						TYPE
						Z
						PAGE
						1