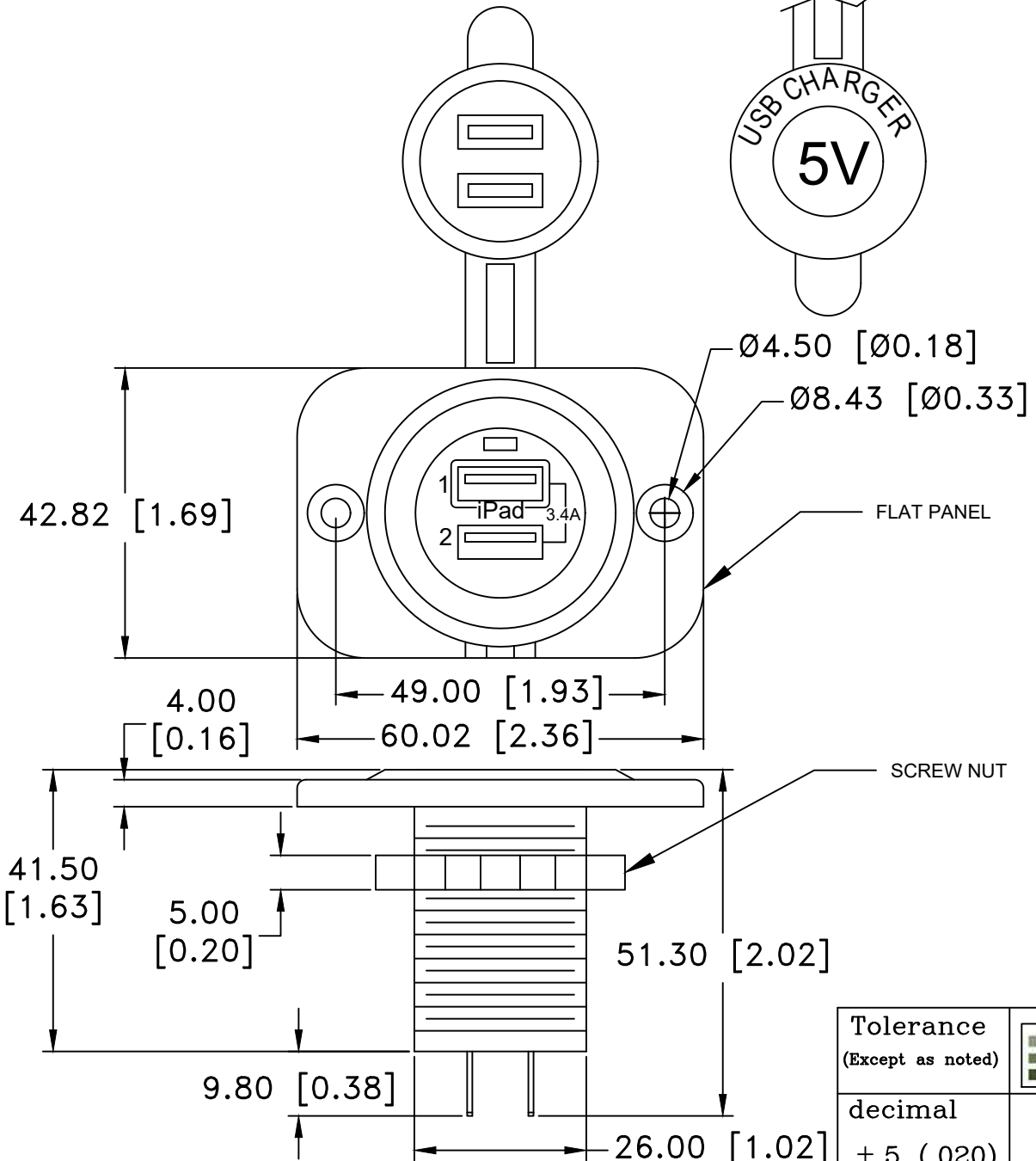
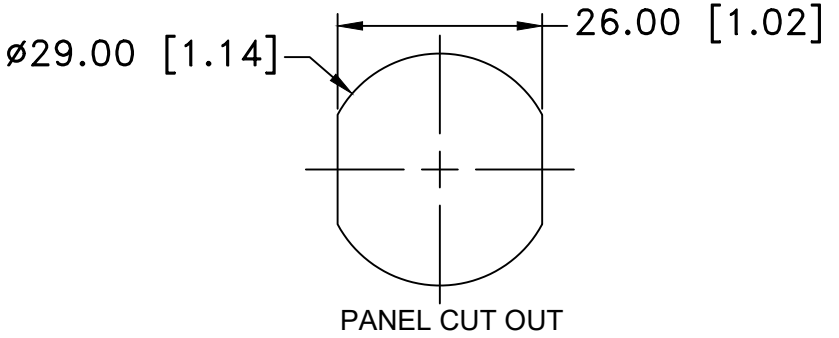
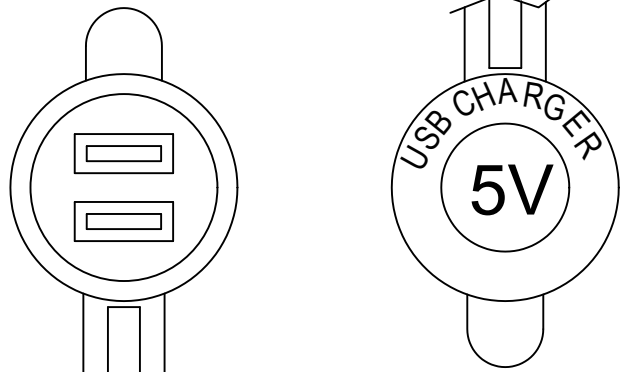



Date	SYM	REVISION RECORD	AUTH	DR.	CK.



SPECIFICATIONS:
 COVER: PVC
 BODY: NYLON #66, UL94V-0 RATED, UL FILE NO. E303072
 CONTACTS: BRASS, NICKEL PLATED
 PLATE: NYLON #66, UL94V-0 RATED, UL FILE NO. E303072
 OPTIMIZED FOR iPad, iPhone, iPod - FAST CHARGING AT FULL SPEED
 COMPATIBLE WITH OTHER SMART PHONES
 INPUT: DC 10-28V (FOR BOTH 12V/24V SYSTEMS)
 PORT1: OPTIMIZED FOR LATEST iPad AIR/AIR 2(CHARGES AT 2.4A)
 PORT 2: FOR OTHER SMART PHONES (HTC, SAMSUNG, SONY ETC)
 ALLOWING FULL SPEED CHARGING
 OUTPUT: DC 5V 3.4A MAX (2.4A + 1A)
 LED POWER INDICATION
 SHORT CIRCUIT/ OVERHEAT PROTECTION
 0.250" QUICK CONNECT TERMINALS
 ROHS 2 COMPLIANT

Tolerance (Except as noted)	 Memory Protection Devices, Inc 200 Broad Hollow Road, Farmingdale, New York 11735		
	decimal ±.5 (.020)	Scale	Drawn By B.S. Approved By T.B.
Fractional ± .8 (.030)	Title DOUBLE PORT 3.4A USB CHARGE WITH FLAT PANEL		
Angular ± 3°	Date 12/19/17	Drawing Number AS234A-A	