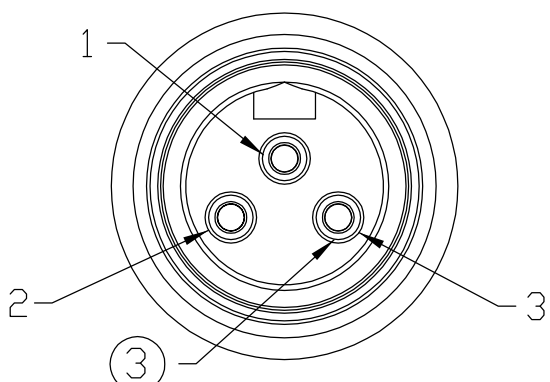
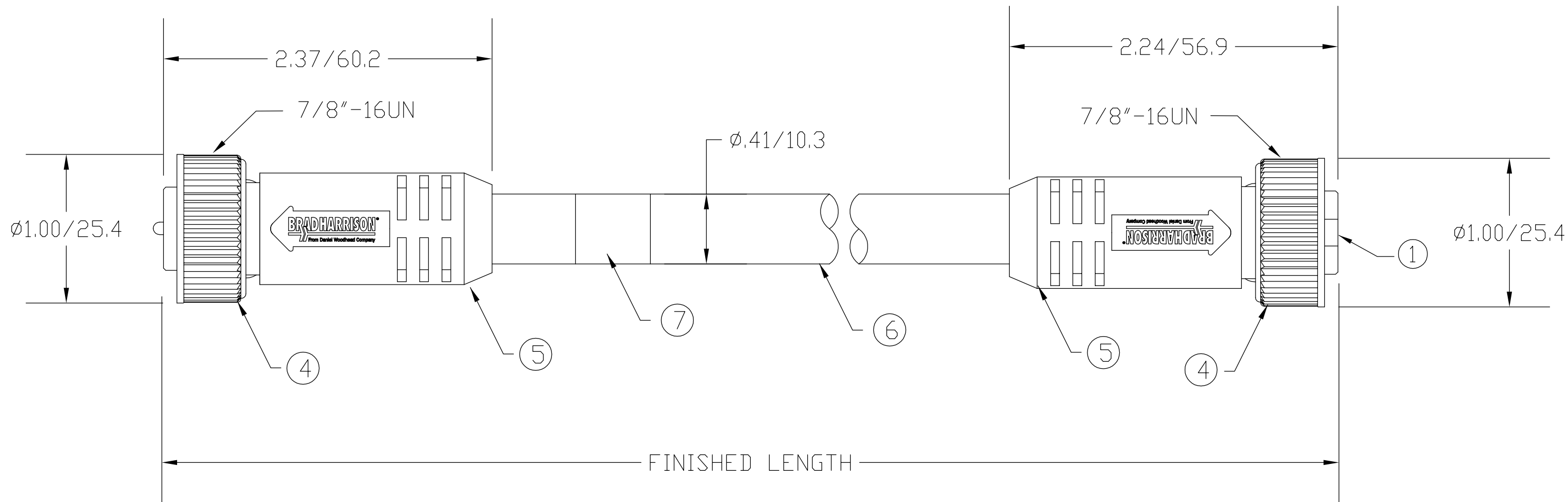
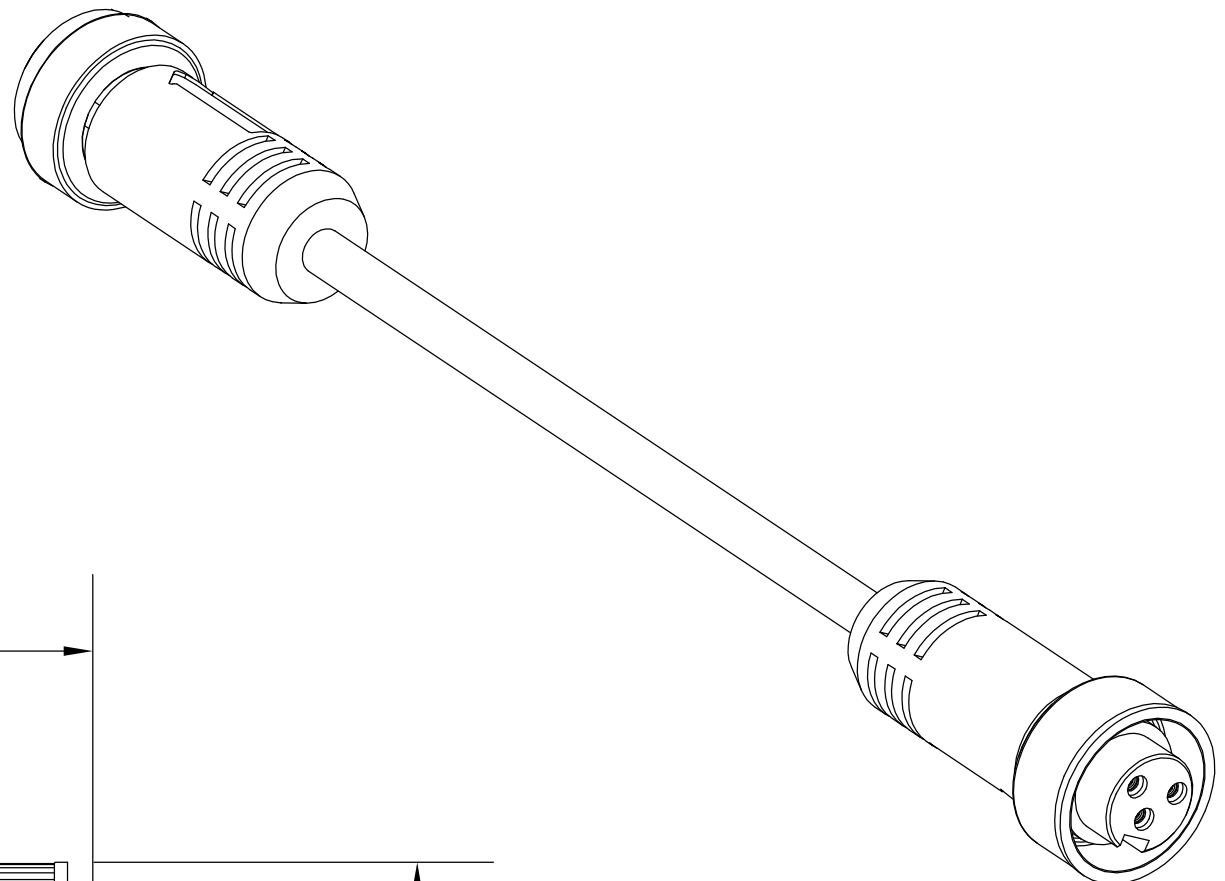
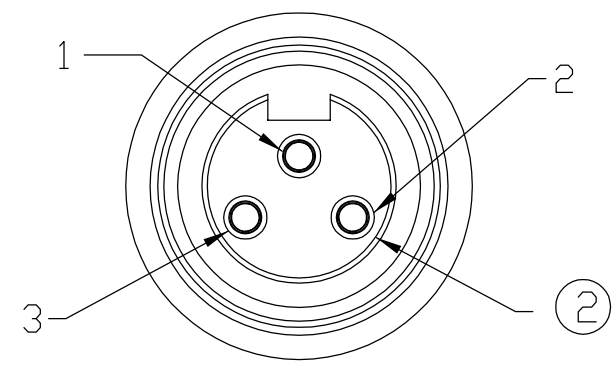


MATERIAL NUMBER	OLD PART NUMBER	FINISHED LENGTH
130010-0210	113020A01F010	1.00" +.75" -0 [1.3M +19.1 -0]
130010-0214	113020A01F030	3.00' +1.75" -0 [1.9M +44.5 -0]
130010-0221	113020A01F060	6.00' +2.19" -0 [1.8M +55.6 -0]
130010-0226	113020A01F090	9.00' +3.50" -0 [2.7M +88.9 -0]
130010-0228	113020A01F120	12.00' +3.50" -0 [3.7M +88.9 -0]
130010-0233	113020A01F150	15.00' +6.50" -0 [4.6M +165.1 -0]
130010-0238	113020A01F200	20.00' +6.50" -0 [6.1M +165.1 -0]
130010-0241	113020A01F250	25.00' +12.50" -0 [7.6M +317.5 -0]



MALE FACE VIEW



FEMALE FACE VIEW

1	GREEN-YELLOW	1
2	BLACK	2
3	WHITE	3

WIRING DIAGRAM

ITEM	COMPONENT	MATERIAL	FINISH
1	INSERT	PVC	YELLOW
2	CONTACT SOCKET	COPPER ALLOY	GOLD OVER NICKEL
3	CONTACT PIN	COPPER ALLOY	GOLD OVER NICKEL
4	COUPLING NUT	ZINC DIE CAST	BLACK E-COATED
5	OVERMOLD	PVC	YELLOW
6	CABLE- 16AWG, (65 X #34 COPPER STRANDING), 3 CONDUCTOR, 600V, ST00W, ST	PVC	YELLOW
7	LABEL	MYLAR	BLACK/YELLOW

VOLTAGE RATING	600 VAC/VDC
AMPERAGE RATING	13 AMPS
PROTECTION	IP67
OPERATING TEMPERATURE	-20°C TO 105°C
UL CERTIFICATIONS	UL RECOGNIZED, FILE NO. E152210
CSA CERTIFICATIONS	CSA CERTIFIED, FILE NO. LR6837

RLSO DRAWING EC NO: WNA2009-0849 DRWN: BWOODMAN 6/10/09 CH'KD: --- APPR: JFMURPHY 2009/07/08	DESCRIPTION REV	QUALITY SYMBOL ▽=0 ◁=0	GENERAL TOLERANCES (UNLESS SPECIFIED) <table border="1"> <tr> <td></td> <td>mm</td> <td>INCH</td> </tr> <tr> <td>4 PLACES</td> <td>±----</td> <td>±----</td> </tr> <tr> <td>3 PLACES</td> <td>±----</td> <td>±----</td> </tr> <tr> <td>2 PLACES</td> <td>±----</td> <td>±.01</td> </tr> <tr> <td>1 PLACE</td> <td>±0.3</td> <td>±----</td> </tr> </table>		mm	INCH	4 PLACES	±----	±----	3 PLACES	±----	±----	2 PLACES	±----	±.01	1 PLACE	±0.3	±----	DIMENSION STYLE IN/MM DRAWN BY: BW DATE: 2009/03/30 CHECKED BY: VO DATE: 2009/03/30 APPROVED BY: DATE:	SCALE ---- DESIGN UNITS ----	THIRD ANGLE PROJECTION
			mm	INCH																	
		4 PLACES	±----	±----																	
		3 PLACES	±----	±----																	
2 PLACES	±----	±.01																			
1 PLACE	±0.3	±----																			
DRAFT WHERE APPLICABLE MUST REMAIN WITHIN DIMENSIONS			SEE CHART	MOLEX	MINI-CHANGE CORDSET 3 POLE MALE/FEMALE 16 AWG PVC CABLE	MOLEX INCORPORATED															
SIZE C			THIS DRAWING CONTAINS INFORMATION THAT IS PROPRIETARY TO MOLEX INCORPORATED AND SHOULD NOT BE USED WITHOUT WRITTEN PERMISSION		MATERIAL NO. SD-130010-002 DOCUMENT NO. SD-130010-002 SHEET NO. 1 OF 1																