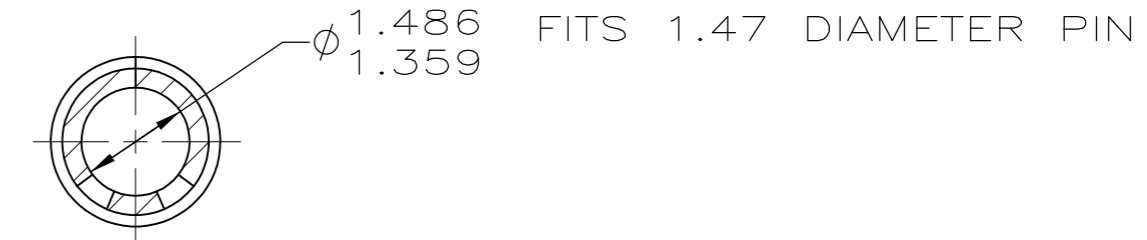
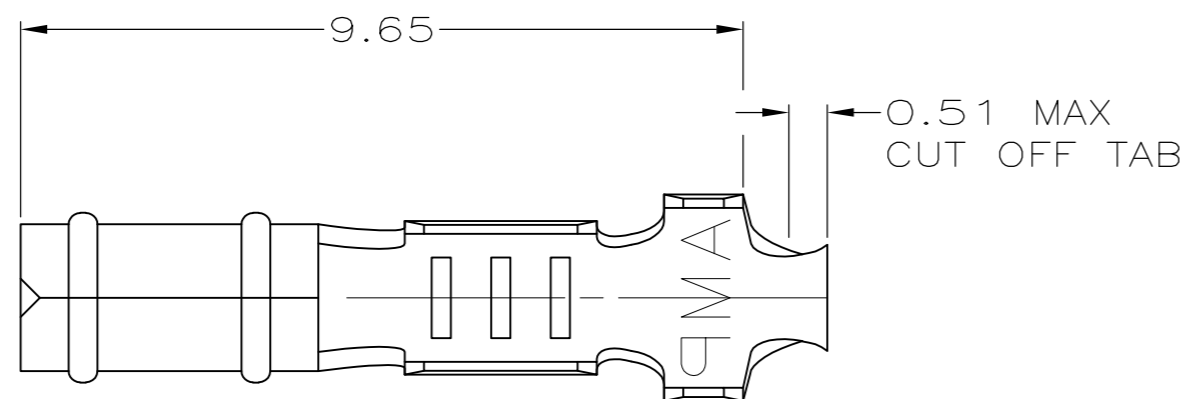


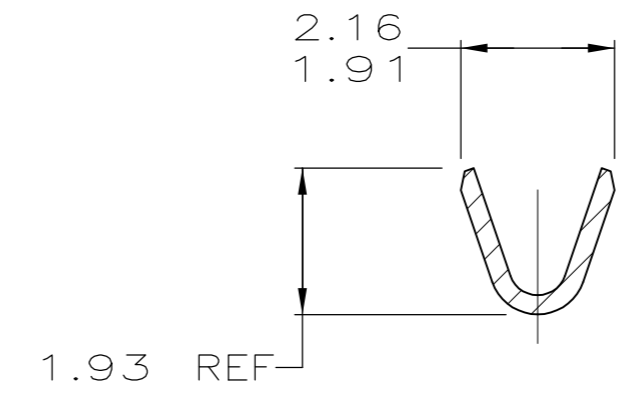
THIS DRAWING IS UNPUBLISHED. RELEASED FOR PUBLICATION
 © COPYRIGHT - By - ALL RIGHTS RESERVED.

LOC		DIST		REVISIONS			
P	LTR	DESCRIPTION		DATE	DWN	APVD	
CM	52	AE1		REVISED PER ECO-11-004917	11MAR11	RK HMR	

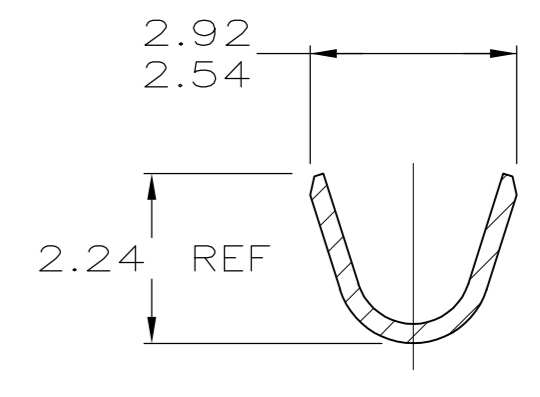
- ① 0.00038 MIN SELECTIVE GOLD PLATING ON INSIDE OF RECEPTACLE AND WIRE BARREL OVER NICKEL OVER ALL UNDERPLATE.
- ② 0.00076 MIN SELECTIVE GOLD PLATING ON INSIDE OF RECEPTACLE AND WIRE BARREL OVER NICKEL OVER ALL UNDERPLATE.
- 3. WIRE RANGE: 0.2 - 0.6 MM² (24 - 20 AWG)
- 4. INSULATION RANGE: 1.14 - 1.78



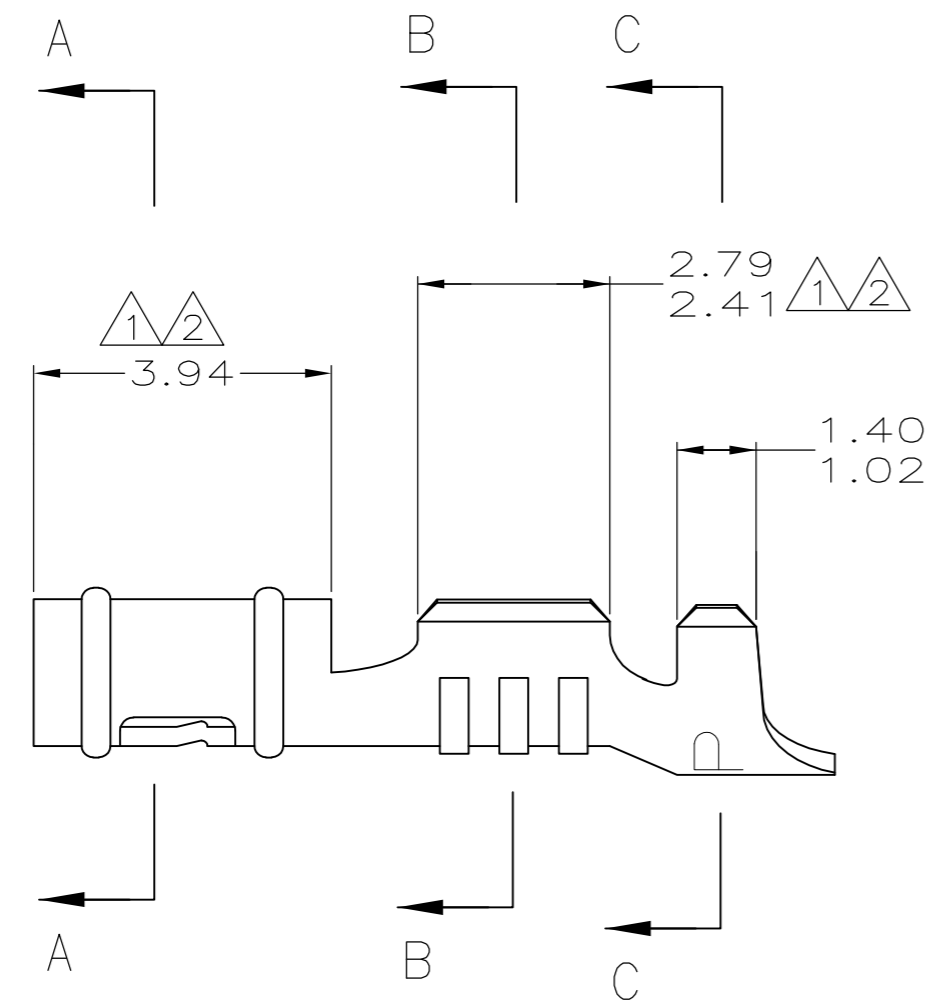
SECTION A-A



SECTION B-B



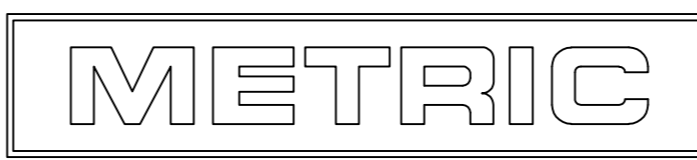
SECTION C-C



FINISH	MATERIAL	PART NUMBER
①	0.25 BE CU	60789-8
②	0.25 PH BRZ	60789-3
MATTE TIN	0.25 BE CU	60789-2
PRE-TIN	0.25 PH BRZ	60789-1

MM	IN	MM	IN	MM	IN	MM	IN
1.02	.040	1.78	.070	2.54	.100	-	-
0.51	.020	1.486	.0585	2.41	.095	-	-
0.25	.010	1.47	.058	2.24	.088	9.65	.380
0.13	.005	1.40	.055	2.16	.085	3.94	.155
0.00076	.000030	1.359	.0535	1.93	.076	2.92	.115
0.00038	.000015	1.14	.045	1.91	.075	2.79	.110

CONVERSION TABLE



THIS DRAWING IS A CONTROLLED DOCUMENT.

DIMENSIONS: mm	TOLERANCES UNLESS OTHERWISE SPECIFIED:	DWN T. BECK 6-11-97	
	0 PLC ± -	CHK R. SWING 6-11-97	
	1 PLC ± -	APVD A. BEDDICK 6-17-97	
	2 PLC ± 0.13	NAME	
	3 PLC ± -	108-1025	
4 PLC ± -	114-1008	SIZE A2	CAGE CODE 00779
ANGLES ± -	FINISH	WEIGHT -	DRAWING NO C-60789
MATERIAL SEE TABLE	SEE TABLE	CUSTOMER DRAWING	RESTRICTED TO -
			SCALE 10:1 SHEET 1 of 1 REV AE1